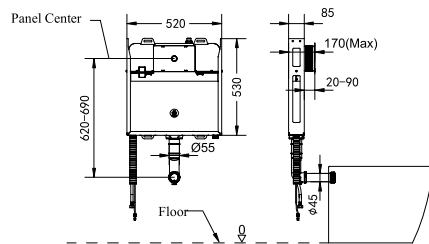


Product performance parameters

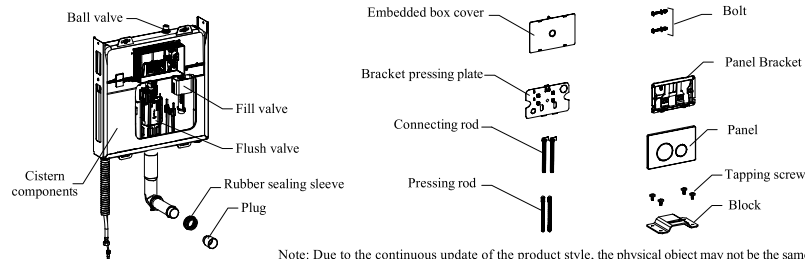
Fill valve thread specification	½" (DN15)
Applicable water pressure	0.02-0.8MPa
Environment temperature	4°C-45°C
Flush volume	Full flush 4.5L, half flush 3L (The flush volume can be adjusted through the fill valve and flush valve.)

Product specification (Unit:mm)



Warmly note:
Please install this product before tiling. Before installation, confirm the installation position, and confirm the horizon after the completion of the construction project, mark horizon line 0 on the installation wall, which is used as the base line for the installation height of 0 when the product is installed.

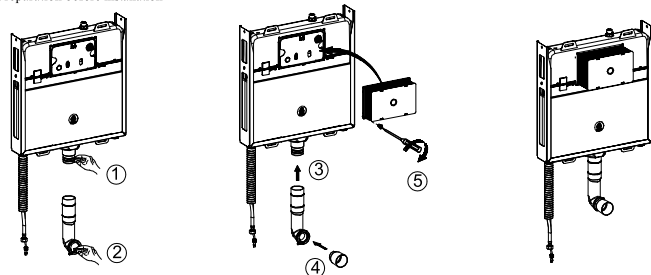
General drawing of spare parts



Note: Due to the continuous update of the product style, the physical object may not be the same as the picture, but the function and installation principle are the same, we will do not give another notice, sorry for the inconvenience caused to you. After installation, this manual must be kept by the customer.

Product Installation Instructions

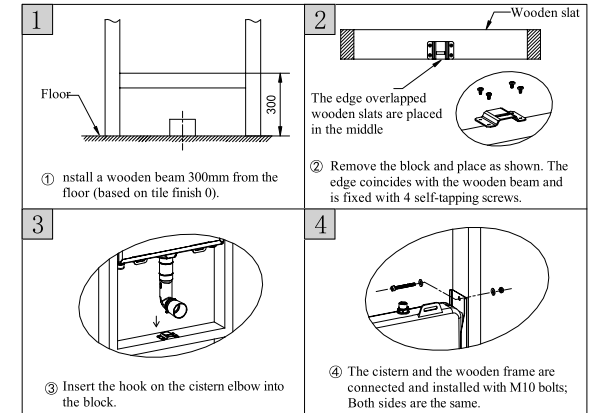
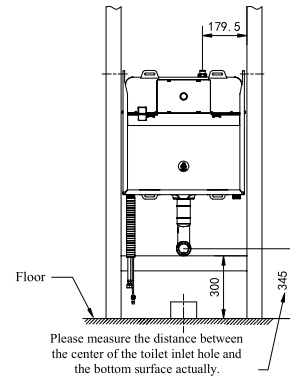
1.Preparation before installation



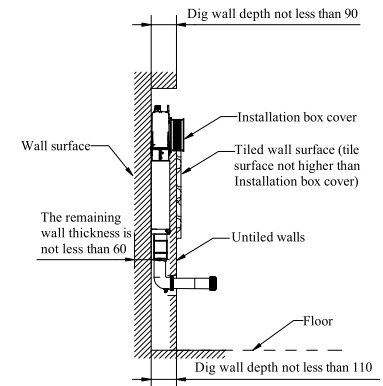
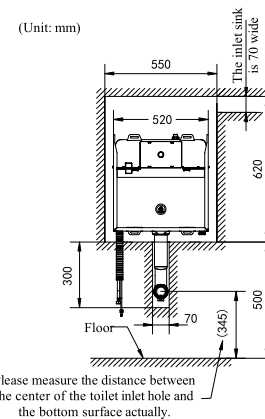
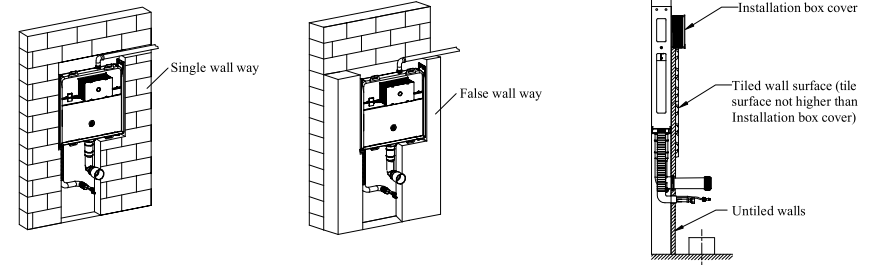
- ①Take out the main body of the cistern and the pipe fittings from the package;
- ②In the cistern pipe mouth and scour elbow mouth coated with silicone oil;
- ③Insert the plug into the mouth of the scour elbow;
- ④Insert the scour elbow into the cistern joint;
- ⑤Lock the embedded box to the cistern with four screws.

2.Cistern installation

2.1 Installation Method on the wooden frame

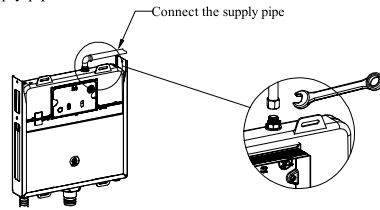


2.2The brick walls installation method



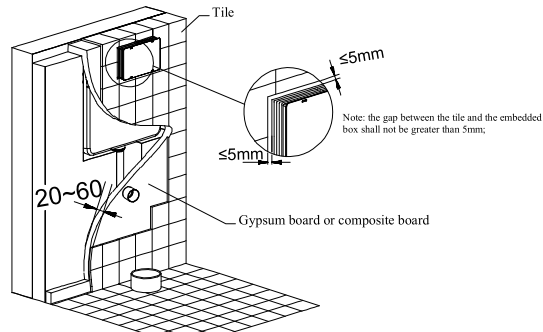
Note: according to the dimensions shown in the drawing, please check whether the thickness of the wall can meet the installation mode of digging wall. If not, fix the wall with false wall. The excavation depth of single wall is not less than 90mm; The total thickness of excavation wall depth, decoration wall thickness and tile paving shall not be greater than 138mm(tile surface shall not be higher than the embedded box cover).

3. Water supply pipe connection



Connect the G1/2 connector of the newly installed supply pipe to the inlet connector at the top of the cistern. To prevent leakage, wrap raw tape around the joint and tighten the nut with a wrench.
(There may be a lot of sundries in the newly installed pipe. In order to prevent sundries from blocking the pipe, please be sure to flush water to wash the sundries in the pipe first.)

4. Decoration wall, ceramic tile construction



Cover the concealed systems with gypsum board or composite board and finally finish with tile paving.
Wall paving thickness: minimum 20mm maximum 60mm;

5. Toilet installation procedure (Note: See the installation manual attached with the toilet product for the connection of the sewage pipe.)

<p>1</p> <p>Insert the unsealed end of the scour straight pipe into the pipe opening on the wall, and mark the depth when there is a blocking feeling.</p>	<p>2</p> <p>Insert the sealed end of the flushing straight pipe into the water inlet hole of the toilet. Make depth markers when you feel blocked.</p>	<p>3</p> <p>Cut the pipe according to the figure, and bevel the cut edge to facilitate guide installation.</p>
<p>4</p> <p>Apply silicone oil to all connections and insert the flushing straight pipe into the inlet hole of the toilet.</p>	<p>5</p> <p>After the flushing straight pipe is aligned with the hole in the wall, push the toilet flat to insert the flushing straight pipe into the connection.</p>	<p>6</p> <p>Level the toilet with a level, and apply glue to the gap between the toilet and the wall and floor.</p>

6. Panel installation

<p>1</p> <p>Remove the embedded box cover after tile paving is completed.</p>	<p>2</p> <p>Use a knife to cut the part above the ceramic tile surface of the installation box, bend the excess part and then break it off and discard it.</p>	<p>3</p> <p>"Push down" Remove the top button of the internal pressure plate cover and remove the pressure plate cover.</p>
<p>4</p> <p>Clean impurities from newly installed water supply lines. ① Turn off water inlet switch ② Unscrew the filter ③ Pull out filter ④ Rinse with water ⑤ Install the filter ⑥ Tighten the filter and supply water</p>	<p>5</p> <p>"Click" Install the internal pressure plate cover back into the embedded box, press the top button to ensure tight clamping.</p>	<p>6</p> <p>Remove the panel bracket from the panel and install it in the embedded box.</p>
<p>7</p> <p>Insert the connecting rod into the mounting hole of the panel bracket and the hole of the embedded box.</p>	<p>8</p> <p>"Click" 90° Rotate the connecting rod 90° clockwise, when a "click" sound is heard, it is installed in place.</p>	<p>9</p> <p>Insert the pressing rod into the mounting hole of the panel bracket (near the center), then insert it into the hole of the connecting sleeve of the lifting lever bracket.</p>
<p>10</p> <p>"Click" 90° Rotate the pressing rod 90° clockwise, when a "click" sound is heard, it is installed in place.</p>	<p>11</p> <p>As shown, the lower end of the panel is against the lower edge of the panel bracket, lift it up, and buckle it to the upper edge of the panel bracket card slot.</p>	<p>12</p> <p>FULL 大档 HALF 小档 The big button is full flush, the small button is half flush.</p>



This product is warranted for a period of 5 years from the date of purchase by the original consumer subject to the instruction and scope of use stated in this document.