

# LAFEME

## GLANCE ST20



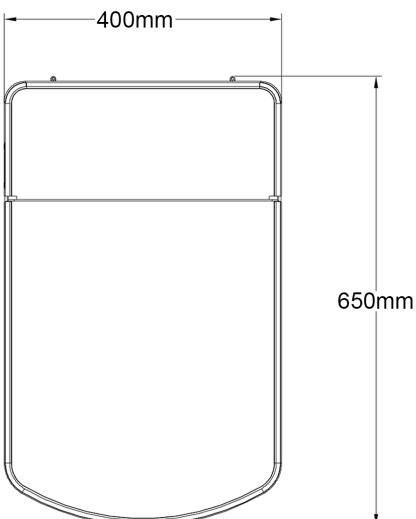
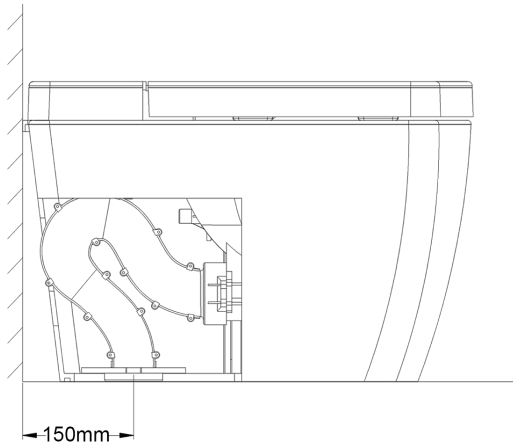
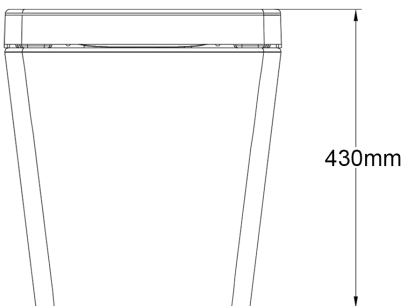
### SPECIFICATIONS

Material	Exterial ABS
Colour	White
Weight	37kg
Water Inlet Position	Bottom Inlet
Pan type	Floor
Toilet Cover	Soft closing
S Trap Setout	150 mm fixed
Water flow rate	5L/8s

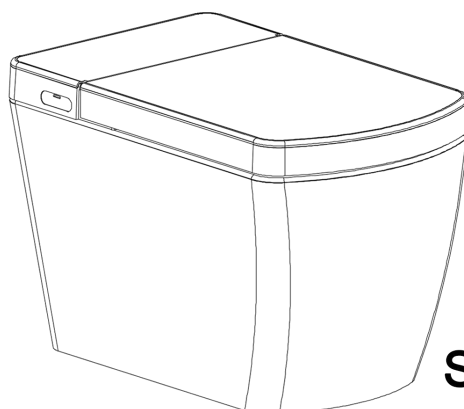
### WARRANTY

2 years including the labour

Please refer to Warranty Page for full Terms and Conditions



Notice: Rough-in distance should be 150mm if the toilet is against rear wall.  
Water Pressure: 0.15MPa-0.75MPa (dynamic pressure 1.5-static pressure 7.5kg) minimum flowrate is 5L/8s.



**ST20-GLANCE**

Please visit [www.lafeme.com.au](http://www.lafeme.com.au) for more information